

Technical Data Sheet

CODE 11317

ME 100/4" LL T ORO ROSA-
PINK GOLD



Wall axial fan



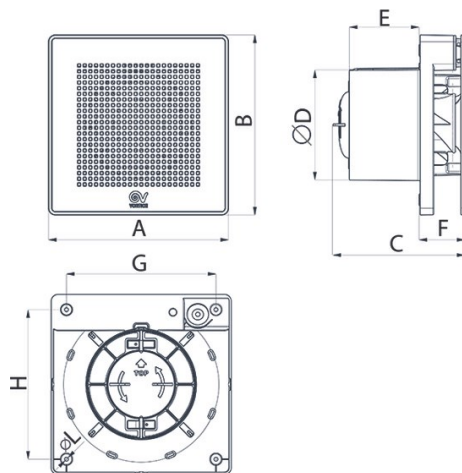
Certifications



TECHNICAL AND PERFORMANCE DATA

Absorbed power 1st speed (W)	5	Delivery 1st speed (m ³ /h)	65
Frequency (Hz)	50	Max delivery at max speed (l/s)	26,4
Insulation Class	II°	Max delivery at max speed (m ³ /h)	95
IP	45	Pressure - 1st speed (mmH2O)	2,5
Max ambient temperature for continuous operation (°C)	50	Pressure - 1st speed (Pa)	24,52
Max. absorbed Current at max. speed (A)	0,052	Pressure max - max speed (mmH2O)	4,7
Max. absorbed Current at min. speed (A)	0,039	Pressure max - max speed (Pa)	46,09
Max. absorbed power at max speed (W)	9	RPM max	2240
Nominal Diameter (mm)	100	RPM min	1700
Voltage (V)	220-240	Sound power Lw [dB(A)] - min speed	41,3
Weight (Kg)	0,6	Sound power Lw [dB(A)] - max speed	47,4
Delivery 1st speed (l/s)	18,1	Sound pressure level Lp in free field [dB(A)] 3 m max speed	26,9
		Sound pressure level Lp in free field [dB(A)] 3 m min speed	20,8

DIMENSIONS



Size A (mm)	159
Size B (mm)	159
Size C (mm)	116,5
Size D (mm)	∅ 98
Size E (mm)	61,5
Size F (mm)	40,5
Size G (mm)	132
Size H (mm)	132
Size L (mm)	∅ 3,5

PER INFORMAZIONI:

Servizio al Cliente: tel +39 02 90699395 premendo 1 dopo messaggio registrato (consulenza su prodotti e impianti)

Pre & Post Vendita: fax +39 02 90699302

Email prevendita: prevendita@vortice-italy.com

Technical Data Sheet

CODE 11317

ME 100/4" LL T ORO ROSA- PINK GOLD

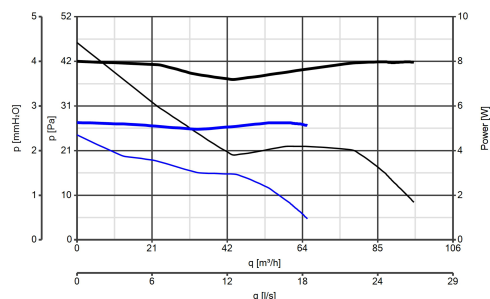


Wall axial fan

DESCRIPTION

- Material: PINK GOLD UV resistant plastic (prevents ageing caused by exposure to sunlight), with colouring obtained by way of treatment using nano technologies.
- Nominal diameter 100 mm.
- Motor protected against thermal overload, with shaft turning in ball bearings; 2 operating speeds controlled electronically from pcb.
- Air flow between 65 m³/h and 95 m³/h.
- Version with simplified timer, operating at one speed: the appliance is equipped with a pcb providing a delayed switch-off function. The length of the switch-off delay, as well as the single operating speed, min or max, can be set during installation.
- Equipped with non-return damper preventing unwanted backdraught when the fan is off.
- IMQ Safety and IMQ Performance certifications.

CURVES



PER INFORMAZIONI:

Servizio al Cliente: tel +39 02 90699395 premendo 1 dopo messaggio registrato (consulenza su prodotti e impianti)

Pre & Post Vendita: fax +39 02 90699302

Email prevendita: prevendita@vortice-italy.com